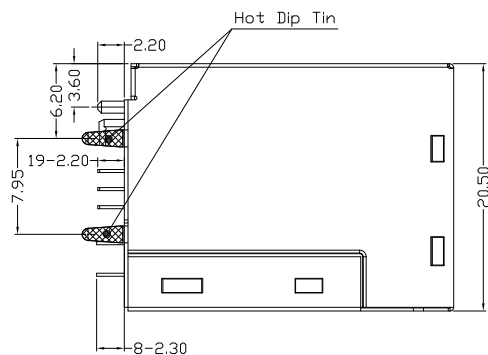
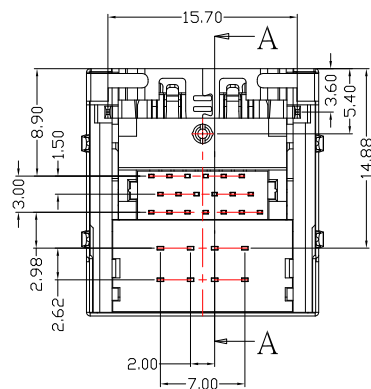
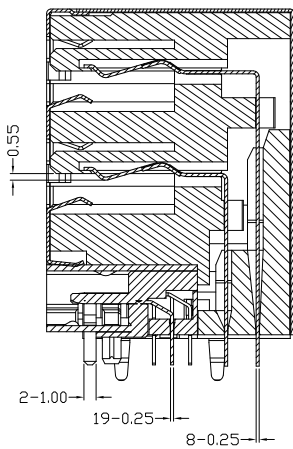
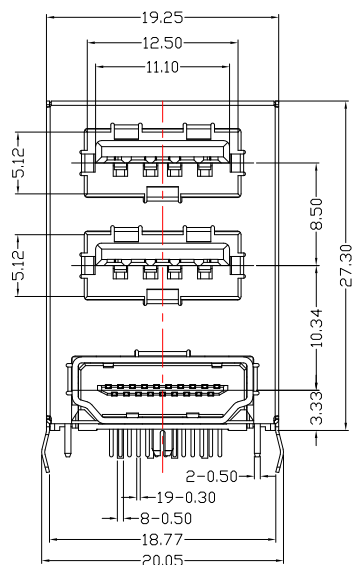
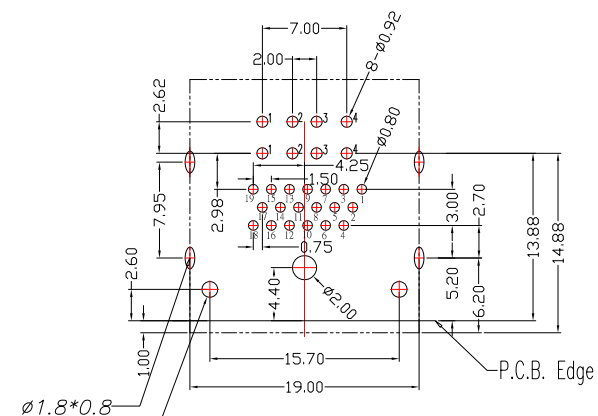




HDU2-270H-x-S373

COLOR :

- White : W
- Black : B



SPECIFICATIONS

1. USB
 - 1.1 Voltage: 250 VAC(RMS) Max.
 - 1.2 Current Rating: 1.5 Ampere per Pontact
 - 1.3 Contact Resistance: 30 Milliohms Max.
 - 1.4 Insulation Resistance: 1000 Megohms Min.
 - 1.5 Dielectric Withstanding Voltage: 750 VAC(RMS)
 - 1.6 Total Mating Force: 3.57 Kgf Max.
 - 1.7 Total Unmating Force: 1.02 Kgf Min.
 - 1.8 Operating Temperature: -55°C to +85°C
2. HDMI
 - 2.1 Voltage: 40 VAC(RMS) Max.
 - 2.2 Current Rating: 0.5 Ampere per Contact
 - 2.3 Contact Resistance: 30 Milliohms Max.
 - 2.4 Insulation Resistance: 100 Megohms Min.
 - 2.5 Dielectric Withstanding Voltage: 500V DC(RMS)
 - 2.6 Total Mating Force: 4.5 Kgf Max.
 - 2.7 Total Unmating Force: 1.0 Kgf Min.
 - 2.8 Operating Temperature: -55°C to +85°C

NOTES

1. MATERIAL:
 - Housing(USB):PBT
 - Housing(HDMI):LCP
 - Terminal:Brass.
 - Shell(USB):SUS.
 - Shell(HDMI):SUS.
2. FINISH:
 - Terminal:Gold Plated over Nickel at Conatct Area.
 - Tin Plated over Nickel at Solder Area.
 - Shell(USB):Nickel Plated.
 - Shell(HDMI):Nickel Plated.

CONTACT 建倚科技股份有限公司
CONTACT TECHNOLOGY CORP.

TOLERANCE UNLESS OTHERWISE STATED :

Up to 5	±0.2
Above 5 ~ 15	±0.3
Above 15 ~ 30	±0.4
Above 30 ~ 50	±0.5
Angle	±0.3°

3RD. ANGEL'S



UNITS MM

DRAWN BY:	DATE	MAT'L	TITLE	CONNECTOR
Jack Lu	05/17/22			
CHECKED BY:	DATE	FINISH	MODLE	雙層 USB 2.0 AF + HDMI AF 90 度 DIP TYPE
Jacky Chen	05/17/22			
APPROVED BY:	DATE	SCALE	DWG NO.	HDU2-270H-x-S373
Tony Kao	05/17/22	1 : 1	PART NO.	HDU2-270H-x-S373
		SHEET NO.	1 of 1	
				SIZE A4
				VER R

ITEM NO.	DESCRIPTION	DRAWN	DATE